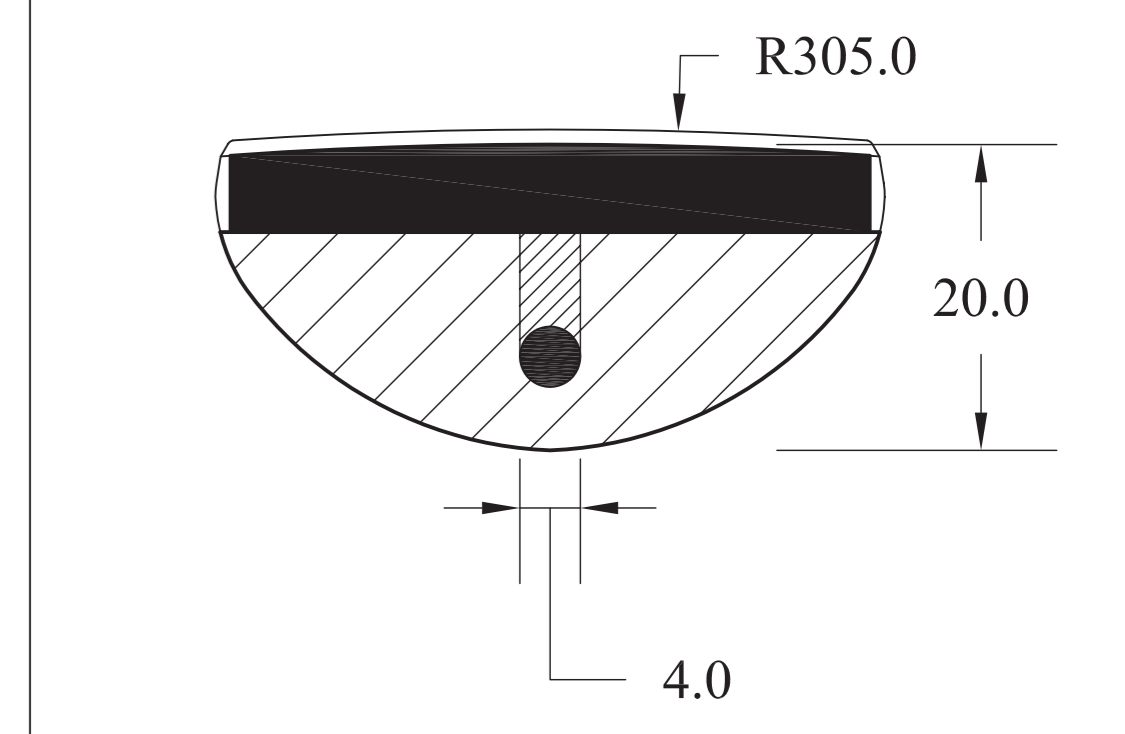
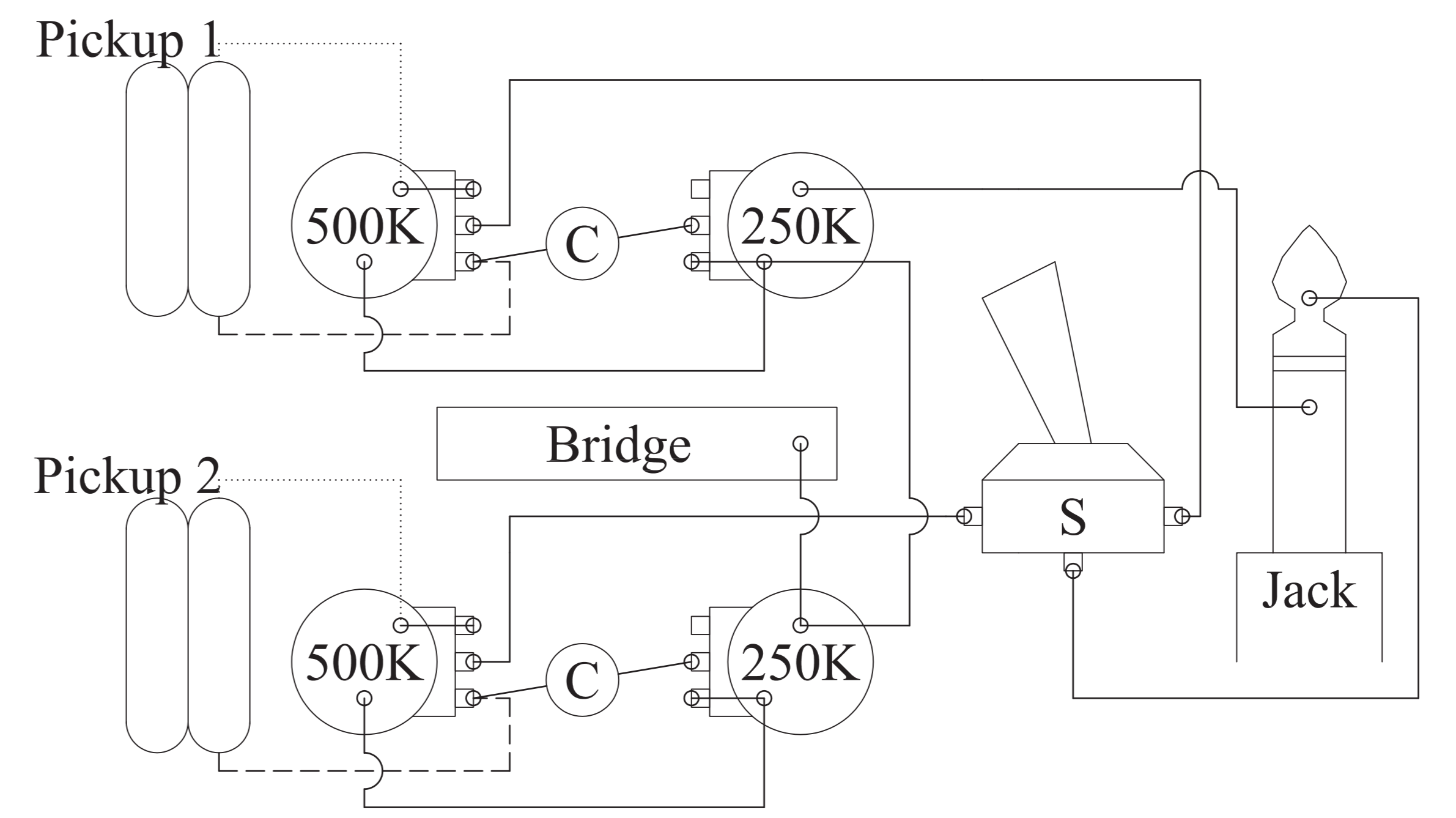
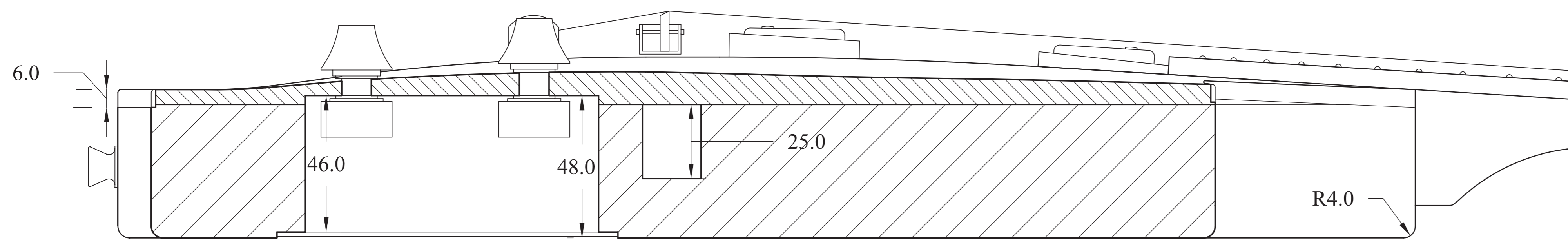


Description	
Electronics	
Legend:	
	Black wire
	Braided metal wire
	0.05mfd capacitor
	2.50K 250K LOG potentiometer
	500K 500K LOG potentiometer
	Pickup 1 498 Gibson "yair" humbucker
	Pickup 2 49T Gibson "yair" humbucker
	Bridge Bridge (connected to ground)
	3-way toggle switch
	Jack Mono jack

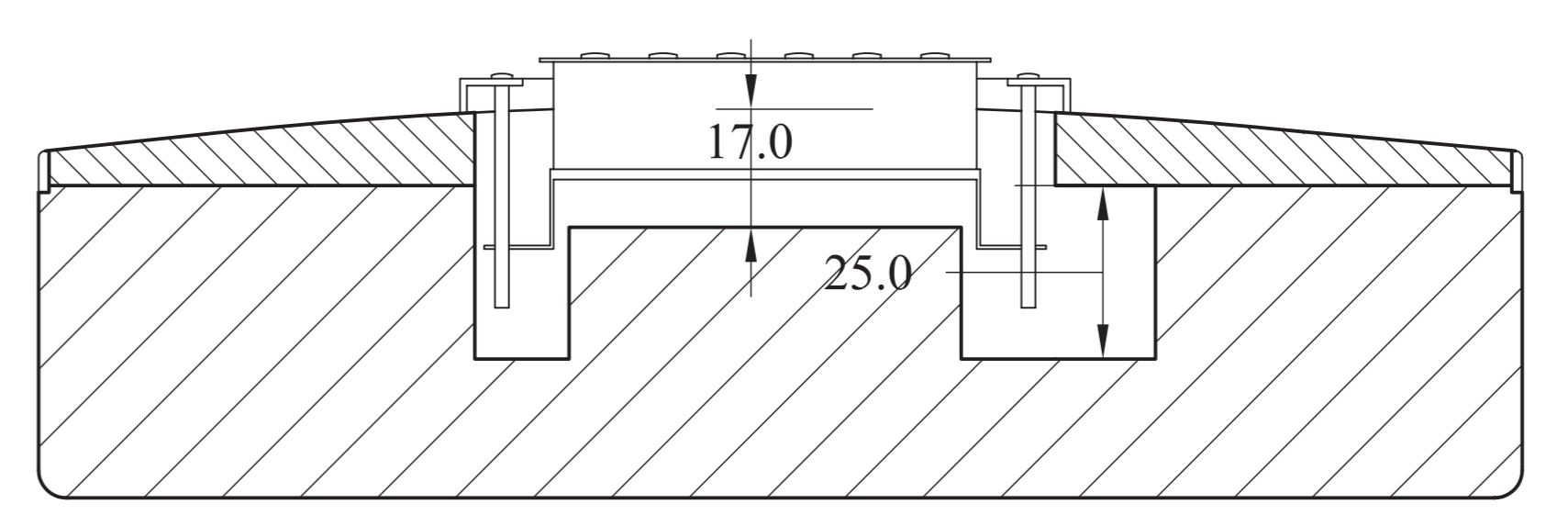
Description Scale
Back plan view 0 20 40 60



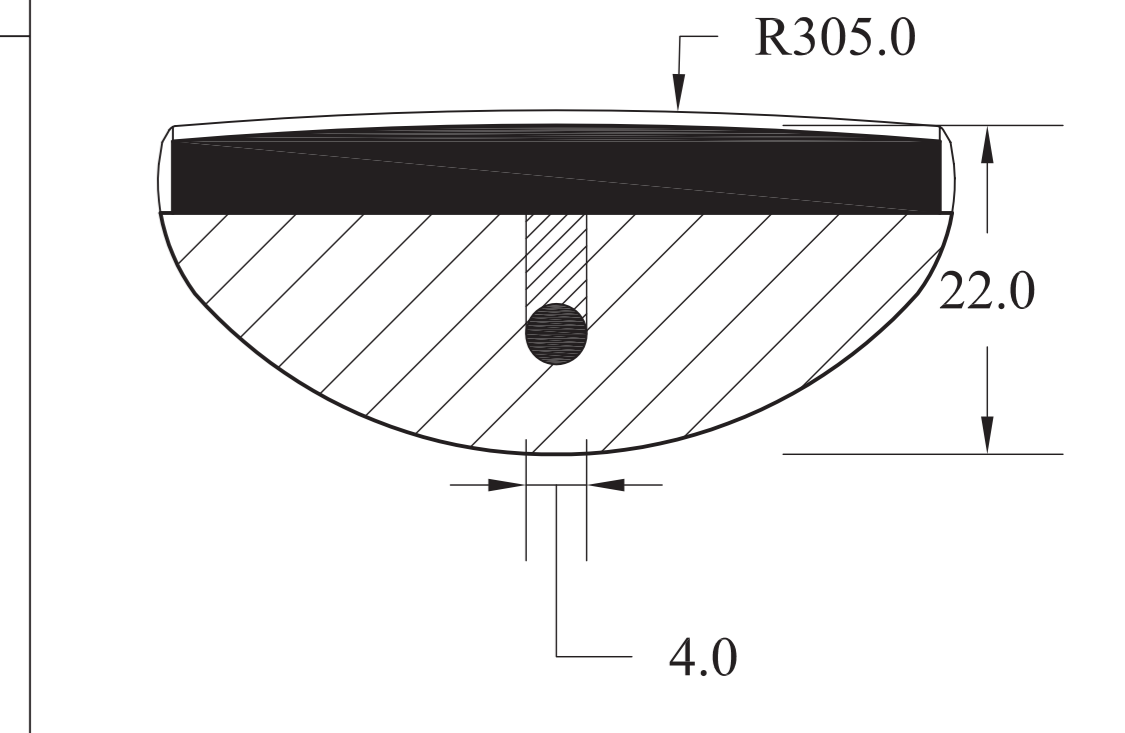
Description Scale
Section DD' 0 5 10 15



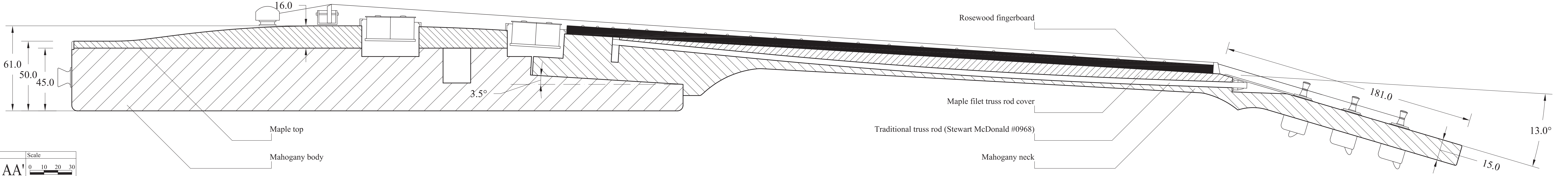
Description Scale
Section BB' 0 10 20 30



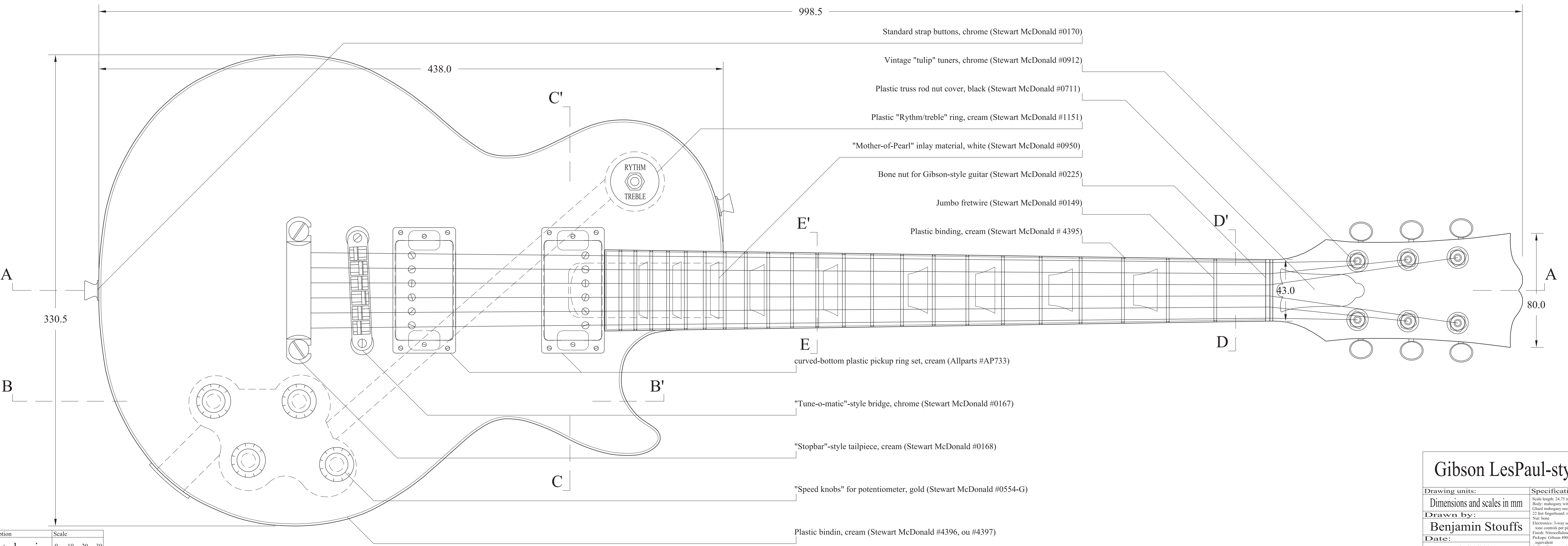
Description Scale
Section CC' 0 10 20 30



Description Scale
Section EE' 0 5 10 15



Description Scale
Section AA' 0 10 20 30



Description Scale
Front plan view 0 10 20 30

Gibson LesPaul-style guitar

Drawing units:	Specifications:
Dimensions and scales in mm	Scale length: 24.75 inches (629 mm)
Drawn by:	Body: mahogany with maple top
Benjamin Stouff	Neck: mahogany
Date:	22 fret fingerboard, rosewood
	Star line
	Electronics: 3-way selector switch, individual volume and tone controls per pickup
	Finish: Nitrocellulose
	Pickups: Gibson #498 (neck) & Gibson #49T (bridge) or equivalent
	Bridge: Tune-o-matic with Stopbar tailpiece
	Tuners: Gibson "tulip" style

05/01/2005