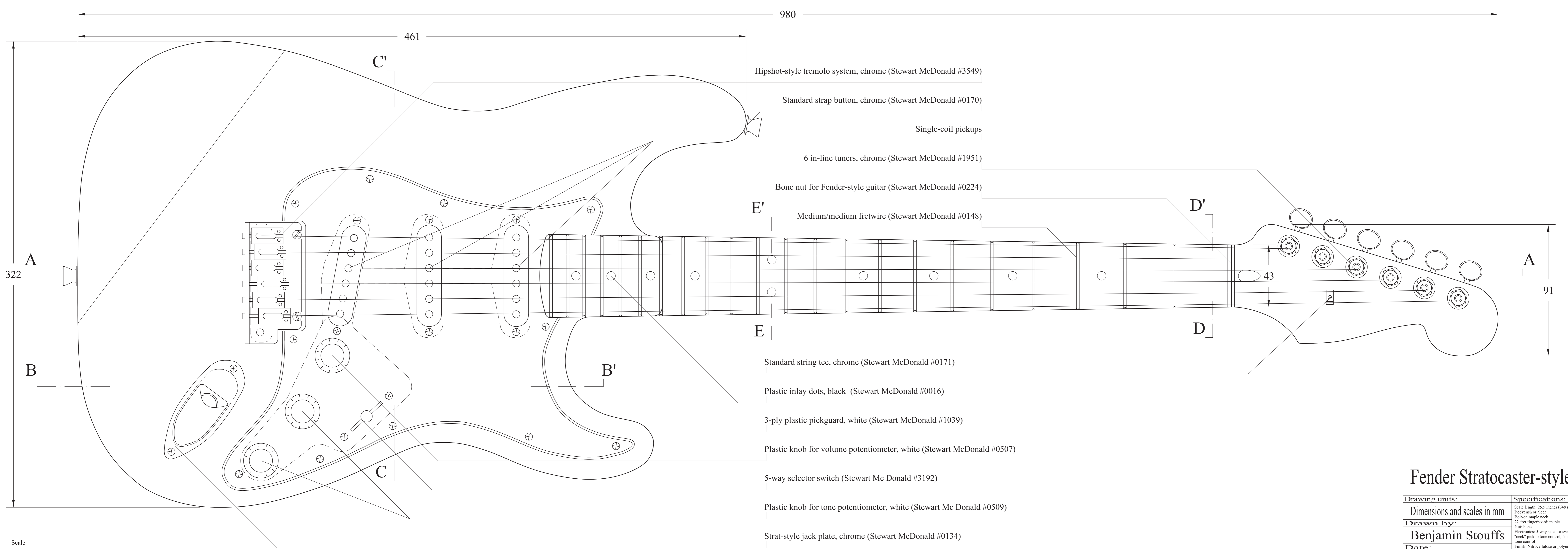
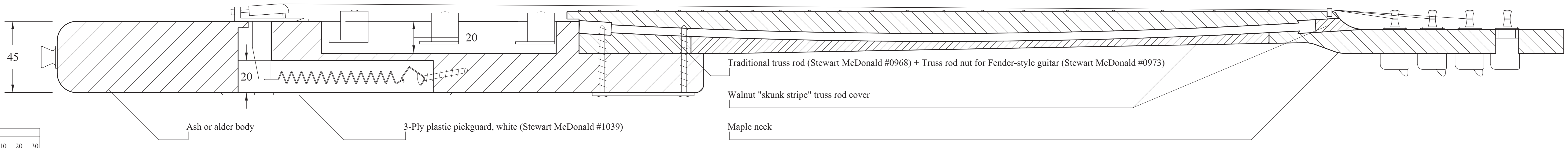
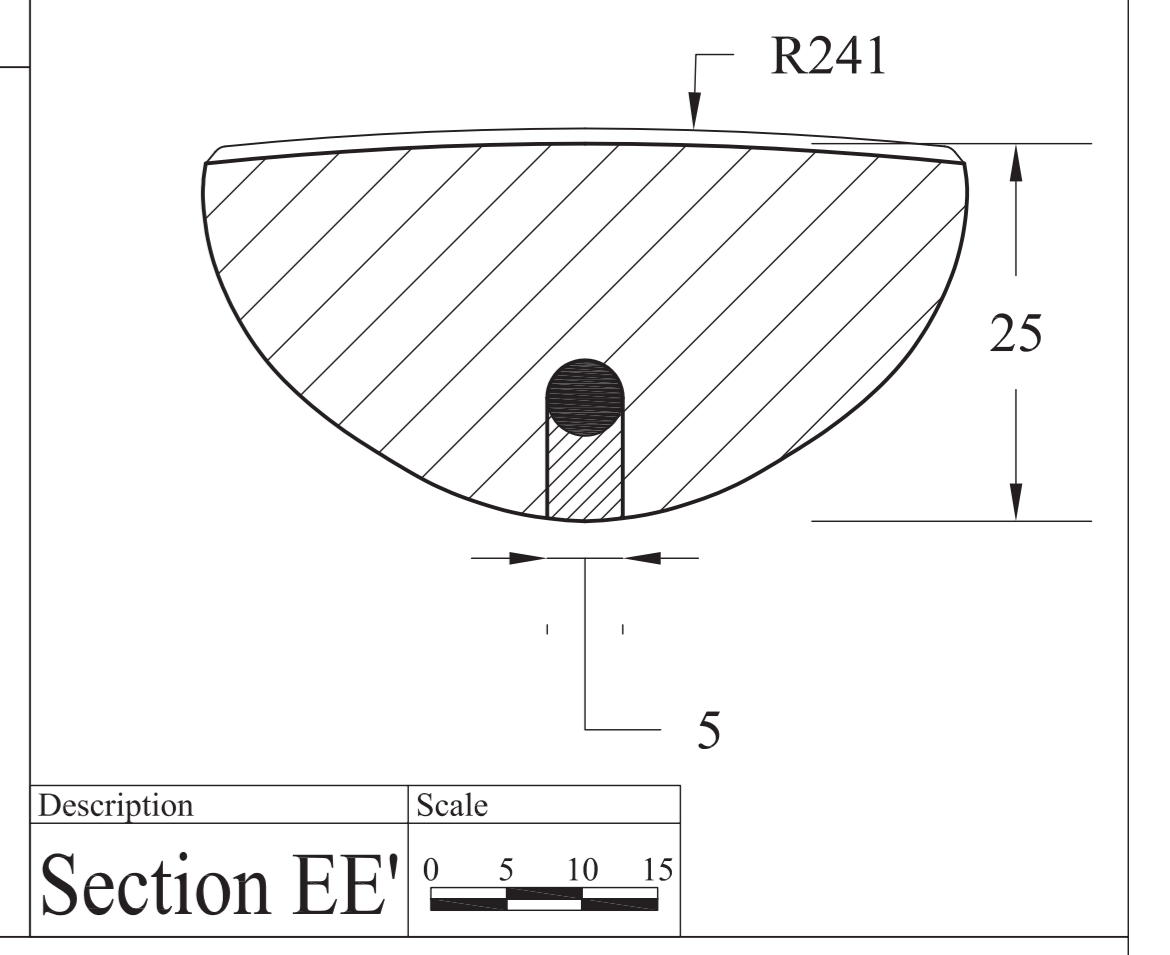
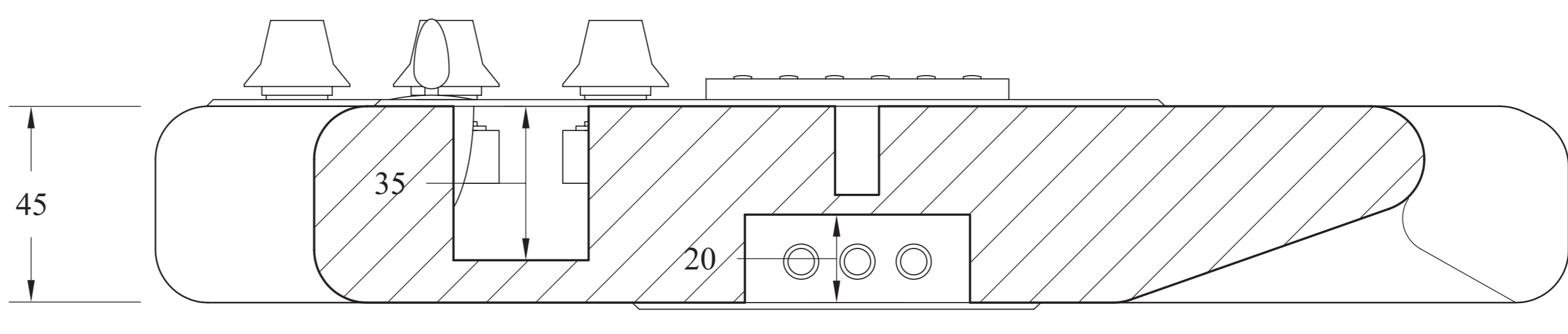
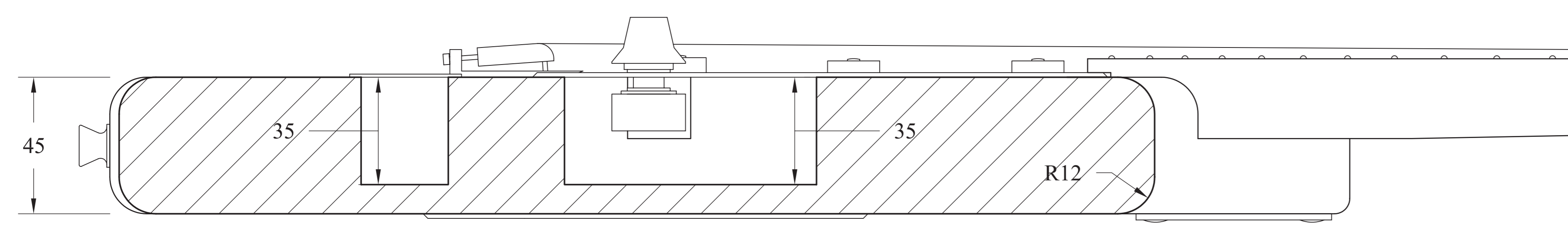
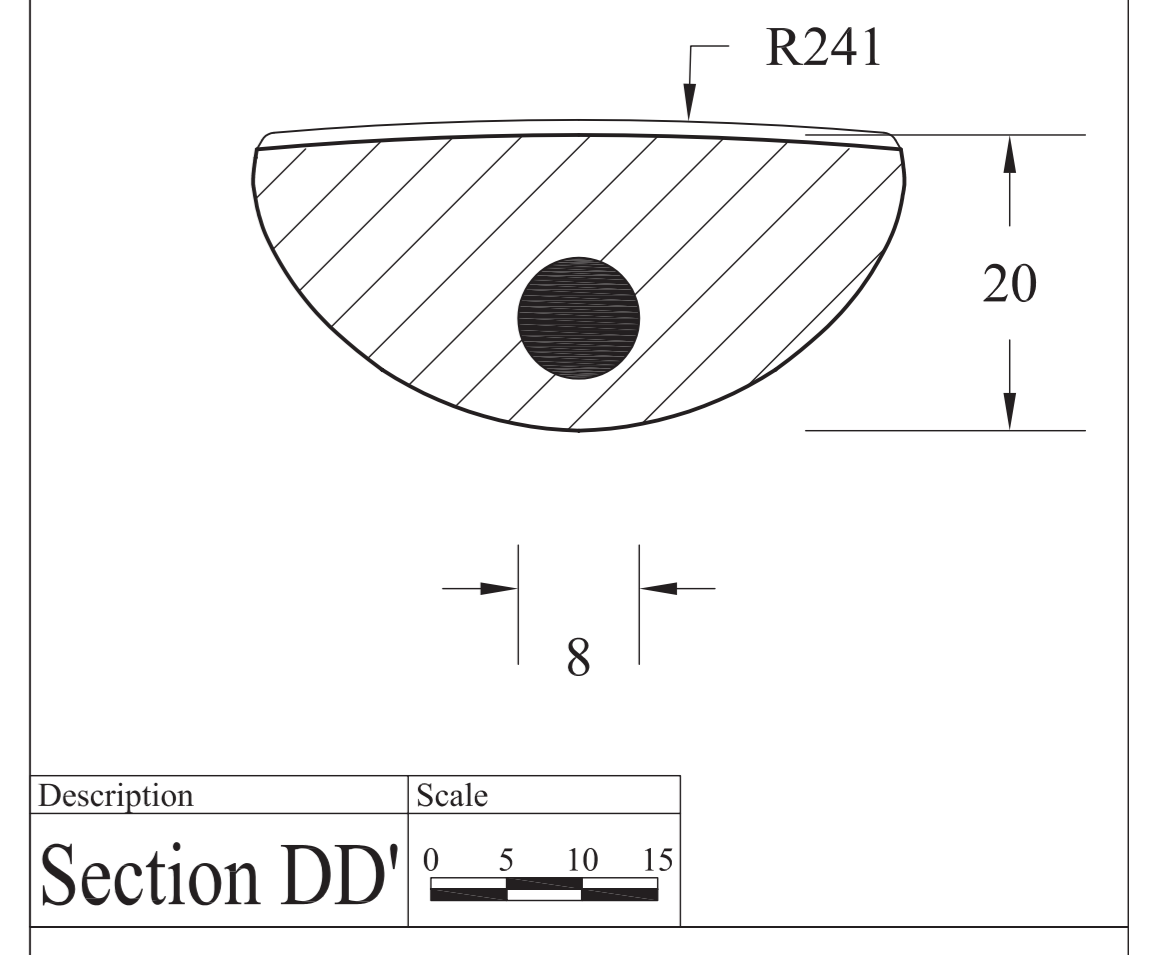
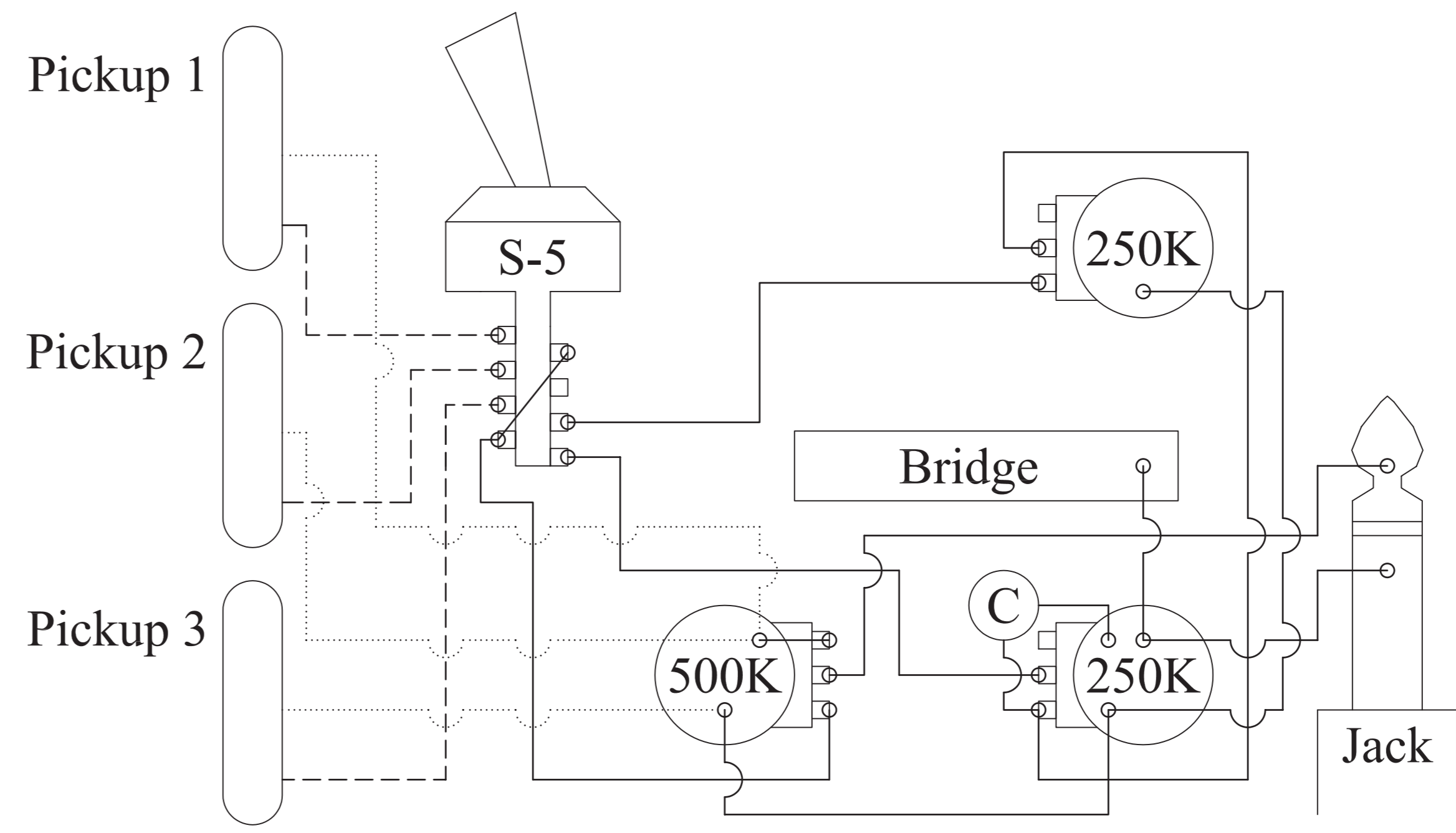


Description Scale  
**Back plan view** 0 20 40 60

Description	
<b>Electronics</b>	
Legend:	Black wire
	White wire
	0.05mfd capacitor
	250K 250K LOG potentiometer
	500K 500K LOG potentiometer
Pickup 1	"bridge" single-coil pickup
Pickup 2	"middle" single-coil pickup
Pickup 3	"neck" single-coil pickup
Bridge	Bridge (connected to ground)
S-S	5-way selector switch
Jack	Mono jack



- Hipshot-style tremolo system, chrome (Stewart McDonald #3549)
- Standard strap button, chrome (Stewart McDonald #0170)
- Single-coil pickups
- 6 in-line tuners, chrome (Stewart McDonald #1951)
- Bone nut for Fender-style guitar (Stewart McDonald #0224)
- Medium/medium fretwire (Stewart McDonald #0148)
- Standard string tee, chrome (Stewart McDonald #0171)
- Plastic inlay dots, black (Stewart McDonald #0016)
- 3-ply plastic pickguard, white (Stewart McDonald #1039)
- Plastic knob for volume potentiometer, white (Stewart McDonald #0507)
- 5-way selector switch (Stewart McDonald #3192)
- Plastic knob for tone potentiometer, white (Stewart McDonald #0509)
- Strat-style jack plate, chrome (Stewart McDonald #0134)

## Fender Stratocaster-style guitar

<b>Drawing units:</b>	<b>Specifications:</b>
Dimensions and scales in mm	Scale length: 25.5 inches (648 mm)
<b>Drawn by:</b>	Body: ash or alder
<b>Benjamin Stouff</b>	Bridge or maple neck
<b>Date:</b>	22-fret fingerboard: maple
	Neck: bone
	Electronics: 5-way selector switch, general volume control, "neck" pickup tone control, "middle" and "bridge" pickups tone control
	Finish: Nitrocellulose or polyurethane
	Pickups: Fender single-coils or equivalent
	Bridge: Fender-style tremolo
	Tuners: Fender 6-in-line

05/01/2005