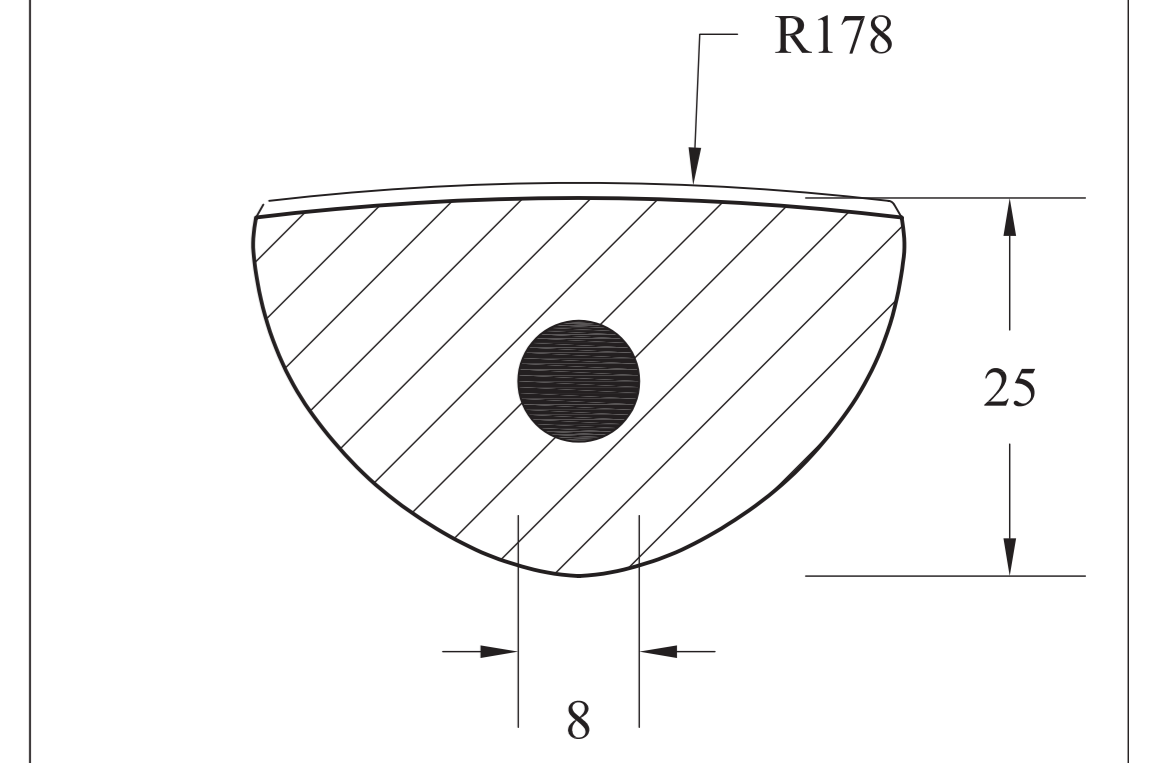
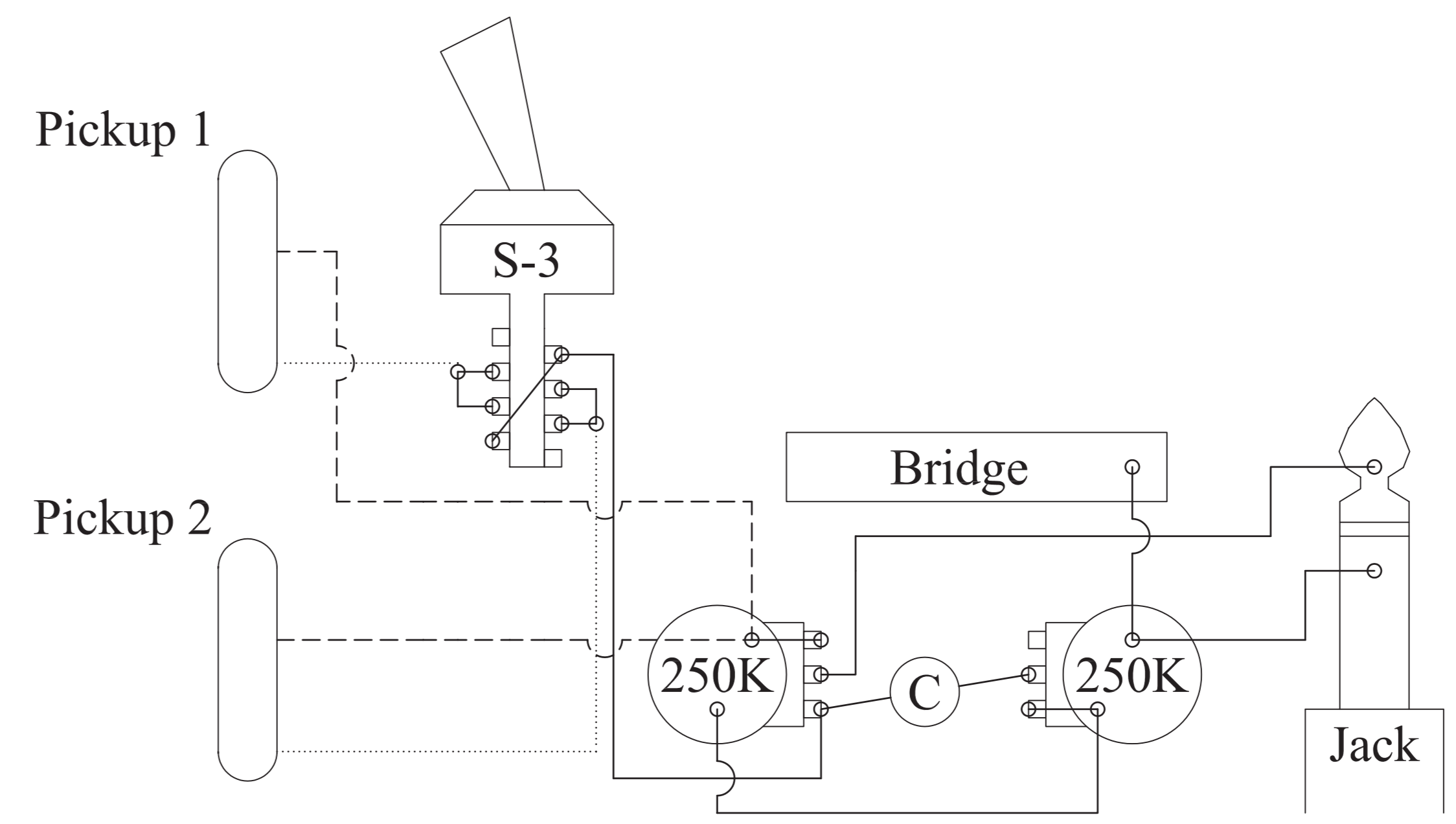
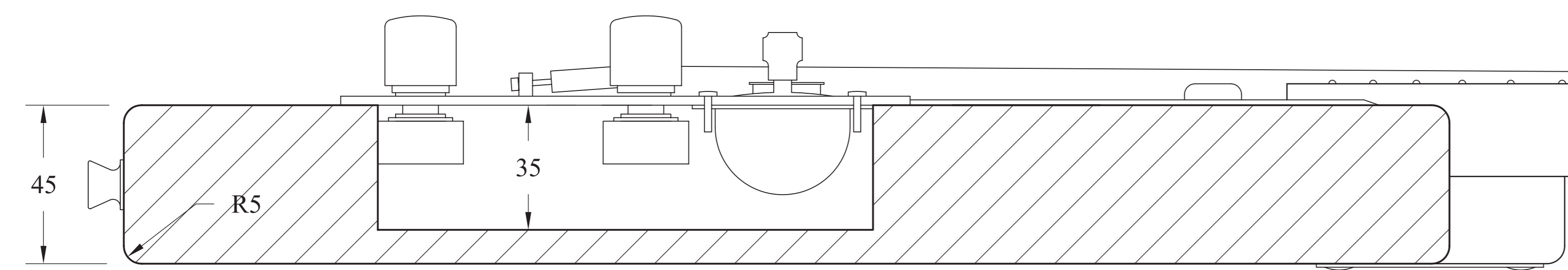


Description Scale  
**Back plan view** 0 20 40 60

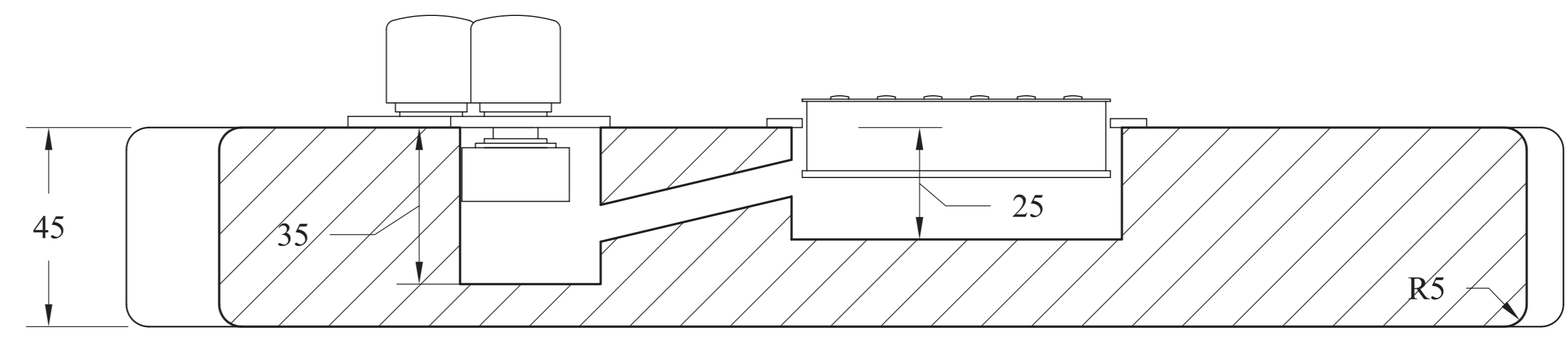
Description	
<b>Electronics</b>	
Legend:	Black wire
	White wire
	0.05mfd capacitor
	250K 250K LOG Potentiometer
Pickup 1	"Bridge" single-coil pickup
Pickup 2	"Neck" single-coil pickup
Bridge	Bridge (connected to ground)
S-3	3-way selector switch
Jack	Mono jack



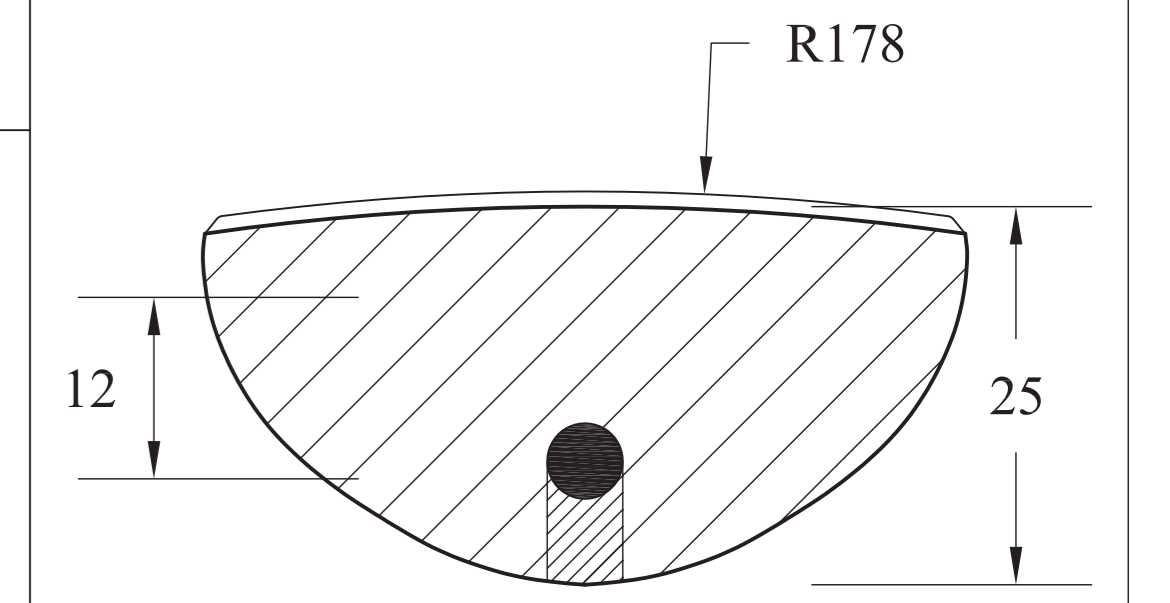
Description Scale  
**Section DD'** 0 5 10 15



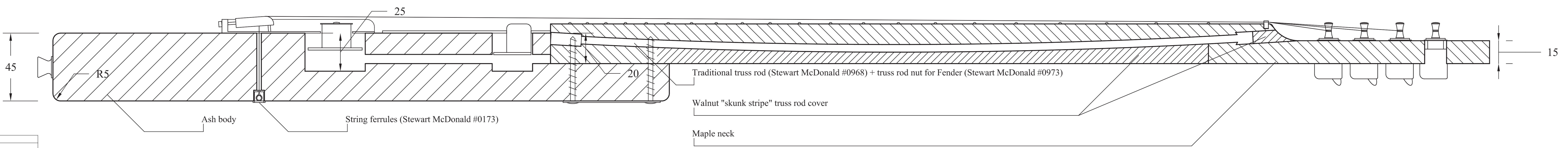
Description Scale  
**Section BB'** 0 10 20 30



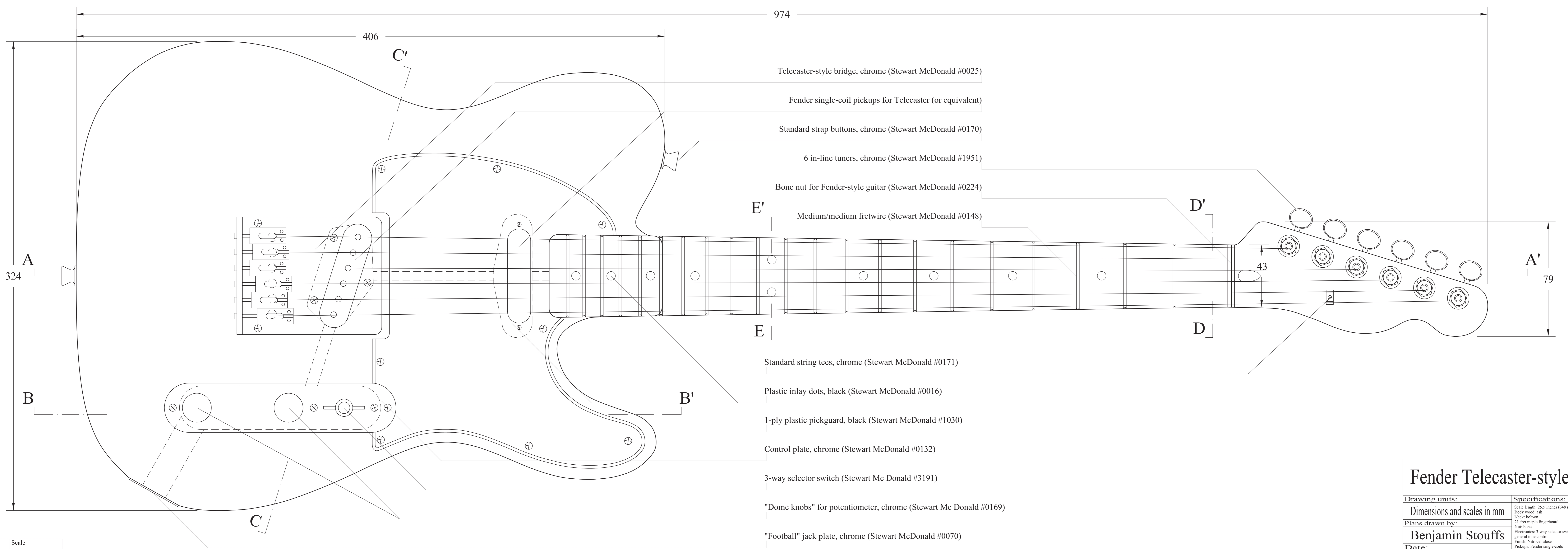
Description Scale  
**Section CC'** 0 10 20 30



Description Scale  
**Section EE'** 0 5 10 15



Description Scale  
**Section AA'** 0 10 20 30



Description Scale  
**Front plan view** 0 10 20 30

- 974
- 406
- Telecaster-style bridge, chrome (Stewart McDonald #0025)
- Fender single-coil pickups for Telecaster (or equivalent)
- Standard strap buttons, chrome (Stewart McDonald #0170)
- 6 in-line tuners, chrome (Stewart McDonald #1951)
- Bone nut for Fender-style guitar (Stewart McDonald #0224)
- Medium/medium fretwire (Stewart McDonald #0148)
- 43
- 79
- Standard string tees, chrome (Stewart McDonald #0171)
- Plastic inlay dots, black (Stewart McDonald #0016)
- 1-ply plastic pickguard, black (Stewart McDonald #1030)
- Control plate, chrome (Stewart McDonald #0132)
- 3-way selector switch (Stewart McDonald #3191)
- "Dome knobs" for potentiometer, chrome (Stewart McDonald #0169)
- "Football" jack plate, chrome (Stewart McDonald #0070)

## Fender Telecaster-style guitar

Drawing units:		Specifications:	
Dimensions and scales in mm		Scale length: 25.5 inches (648 mm)	
Plans drawn by:		Body wood: ash	
<b>Benjamin Stouff</b>		Neck: mahogany	
<b>Date:</b>		21-fret maple fingerboard	
05/01/2005		Nir: bone	
		Electronics: 3-way selector switch, general volume control, general tone control	
		Finish: Nitrocellulose	
		Pickups: Fender single-coils	
		Bridge: Hardtail string-through-body type with integrated bridge pickup hole	
		Tuners: Fender tuning pegs	